

A35 IDC SOCKET (DUAL U-SLOT & DUAL CONTACT)

PITCH: 2.54mm

SPECIFICATIONS

Material

Insulator : PBT, glass reinforced, rated UL 94V-0

Contact : Phosphor Bronze

Electrical

Current Rating : 1 Amp DC for # 28AWG Cable

1.5Amp DC for # 26AWG Cable

Contact Resistance : 30 mΩ max.

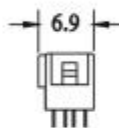
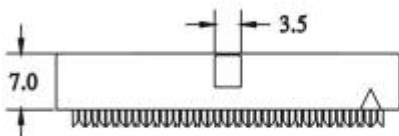
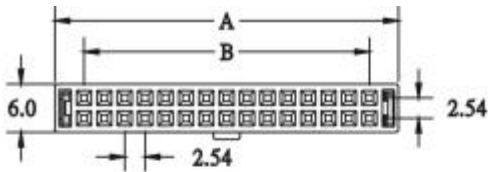
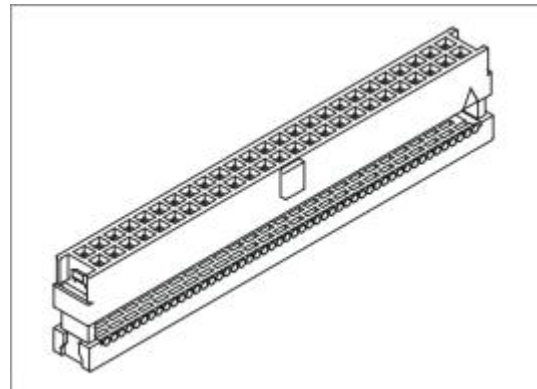
Insulation Resistance : 3000 MΩ min.

Dielectric Withstanding Voltage : 500V AC for 1 minute

Operating Temperature : -40°C to +105°C

♦ Terminated with 1.27mm pitch flat ribbon cable.

♦ Mating Suggestion : C01a, C01b, C02a & C02b series.



POSITION	A	B
6	12.32	5.08
8	14.86	7.62
10	17.40	10.16
12	19.94	12.70
14	22.48	15.24
16	25.02	17.78
20	30.10	22.86
24	35.18	27.94
26	37.72	30.48
30	42.80	35.56
34	47.88	40.64
40	55.50	48.26
50	68.20	60.96
60	80.90	73.66
64	85.98	78.74

HOW TO ORDER:

A35 - - - - -

1.NO. OF CONTACT	2.CONTACT MATERIAL	3.CONTACT PLATING	4.SPECIAL FUNCTION	5.INSULATOR COLOR
06 08 10 12 14 16 20 24 26 30 34 40 50 60 64	B: PHOSPHOR BRONZE	T: TIN PLATED S: SELECTIVE G: GOLD FLASH A: 5u" INCH GOLD B: 10u" INCH GOLD C: 15u" INCH GOLD D: 30u" INCH GOLD	A: W STRAIN RELIEF W BAR B: W/O STRAIN RELIEF W BAR C: W STRAIN RELIEF W/O BAR D: W/O STRAIN RELIEF W/O BAR	1. BLACK